

# LP-3000



CONNECTABLE  
TO PLATFORM UP TO  
4 LOAD CELLS



LABEL  
PRINTER  
PRINthead / 3-4"



8,000 PLUs  
MEMORY



Wi-Fi  
OPTIONAL



METROLOGICAL  
VERIFICATION  
OPTIONAL

## Outstanding functions

- Labelling of fix/variable weight/price.
- Orders management.
- Labelling of totals.
- Generic traceability on label.
- Adapted to comply with EU Regulation 1169/2011 referring to food information.
- Barcodes:
  - EAN-8, EAN-13, EAN-128, CODE 128, ITF-14, GS1 Datamatrix and GS1 Databar (up to 4 codes per label).

## Weighing (optional)

- Connection to 1 or 4 load cells platform.
- Connection to a 2<sup>nd</sup> platform through a Dibal weight indicator (DMI-610 or DMI-620).

## Labelling system

- Printing type:
  - Direct Thermal (DT) or Thermal Transfer (TT) (depending on the models).

- Printhead:
  - Long-lasting 3" or 4" (depending on the models).
- Resolution:
  - 8 dots/mm.

## Labels

- Dimensions depending on the inches of the printhead:
  - 3" printhead: from W30 x L30 mm, up to W80 x L300 mm.
  - 4" printhead: from W30 x L30 mm, up to W102 x L300 mm.

## Construction

- Structure:
  - AISI 304 stainless steel and texturised ABS.
- Console:
  - Stainless steel.
  - "Qwerty" keypad and backlit graphic LCD display.

## Communication to PC

- Ethernet TCP/IP.
- RS-232/422/485.

## PC Software

- RMS: For equipment configuration, production data management and back up (LBS).
- DLD: For graphic design of labels.
- Integration tools: See section on software.

## Power supply

- Electrical: 230 V/50 Hz; 115 V/60 Hz.

## Possible integration with other equipment

- 1 or 4 load cells weighing platform.
- Dibal LS-3000 and LS-4000 automatic weigh-price labeller.
- Dibal weight indicator.
- Printer with Serial protocol.
- Another LP-3000.

## MODELS WITH WEIGHING PLATE

### LP-3300 IV

- 3" printhead with direct thermal printing.
- Printing speed: 150 mm/second.

Ref.: 75LPR4509Z\_\_

### LP-3300 IVT

- 3" printhead with thermal transfer or direct thermal printing.
- Printing speed: 150 mm/second.

Ref.: 75LPR4508Z\_\_

### LP-3400 IV

- 4" printhead with direct thermal printing.
- Printing speed: 150 mm/second.

Ref.: 75LPR4609Z\_\_

### LP-3400 IVT

- 4" printhead with thermal transfer or direct thermal printing.
- Printing speed: 150 mm/second.

Ref.: 75LPR4608Z\_\_

## MODELS WITHOUT WEIGHING PLATE

### LP-3300 I

- 3" printhead with direct thermal printing.
- Printing speed: 150 mm/second.

Ref.: 75LPR3511Z\_\_

### LP-3300 IT

- 3" printhead with thermal transfer or direct thermal printing.
- Printing speed: 150 mm/second.

Ref.: 75LPR3510Z\_\_

### LP-3400 I

- 4" printhead with direct thermal printing.
- Printing speed: 150 mm/second.

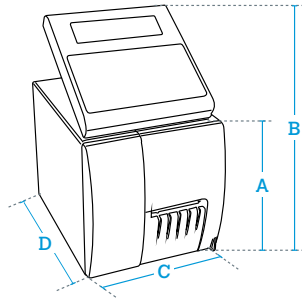
Ref.: 75LPR3611Z\_\_

### LP-3400 IT

- 4" printhead with thermal transfer or direct thermal printing.
- Printing speed: 150 mm/second.

Ref.: 75LPR3610Z\_\_

## DIMENSIONS



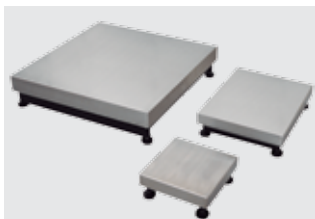
DATA IN mm

A	300
B	485
C	296
D	424

## Options

Option	Characteristics	Ref.
Input/Output control (I/O)	For connection to external devices.	Contact us
Wi-Fi	Wireless communications.	Contact us
RMS Software	Equipment configuration, production data management and data back up (LBS). (See section on software)	7340R1U3 7340RNU3
DLD Software	Graphic design of labels. (See section on software)	7340L1U3 7340LNU3
Metrological verification (M)	According to EU weighing directives for weighing labeller and platform assemblies. For LP-3000 with weighing plate. (See section on equipment metrological verification)	Contact us

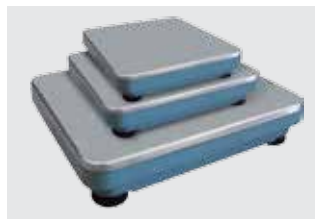
## Accessories



Ref: Contact us

### ME Series single load cell platforms (monorange)

- 3 versions (see section on Platforms for further information).  
Only for LP-3000 with weighing plate.  
For multirange option, contact us.



Ref: Contact us

### MA Series single load cell platforms (monorange)

- Iron structure, aluminium load cell, stainless steel plate.  
Only for LP-3000 with weighing plate.



Ref: 7POS000LNE\_

### DP Series single load cell platform (monorange)

- Aluminium/plastic structure, aluminium load cell, stainless steel plate.  
Only for LP-3000 with weighing plate.  
For multirange option, contact us.



Ref: BC-745 + BL-5653

### Barcode reader

Scanner. Cable for connection to the labeller included.



Ref: BC-668 + BL-5653

### Barcode readers

- Wireless.  
Scanner. Cable for connection between the wireless scanner base and the labeller included.



Ref: 493603A

### Stainless steel box with legs

Mounting bracket for the weigh-price labeller.



Ref: 75000978

### Stainless steel box with brackets

Mounting bracket for the weigh-price labeller.



Ref: BE-AD1111

### RW-3000 external label rewinder